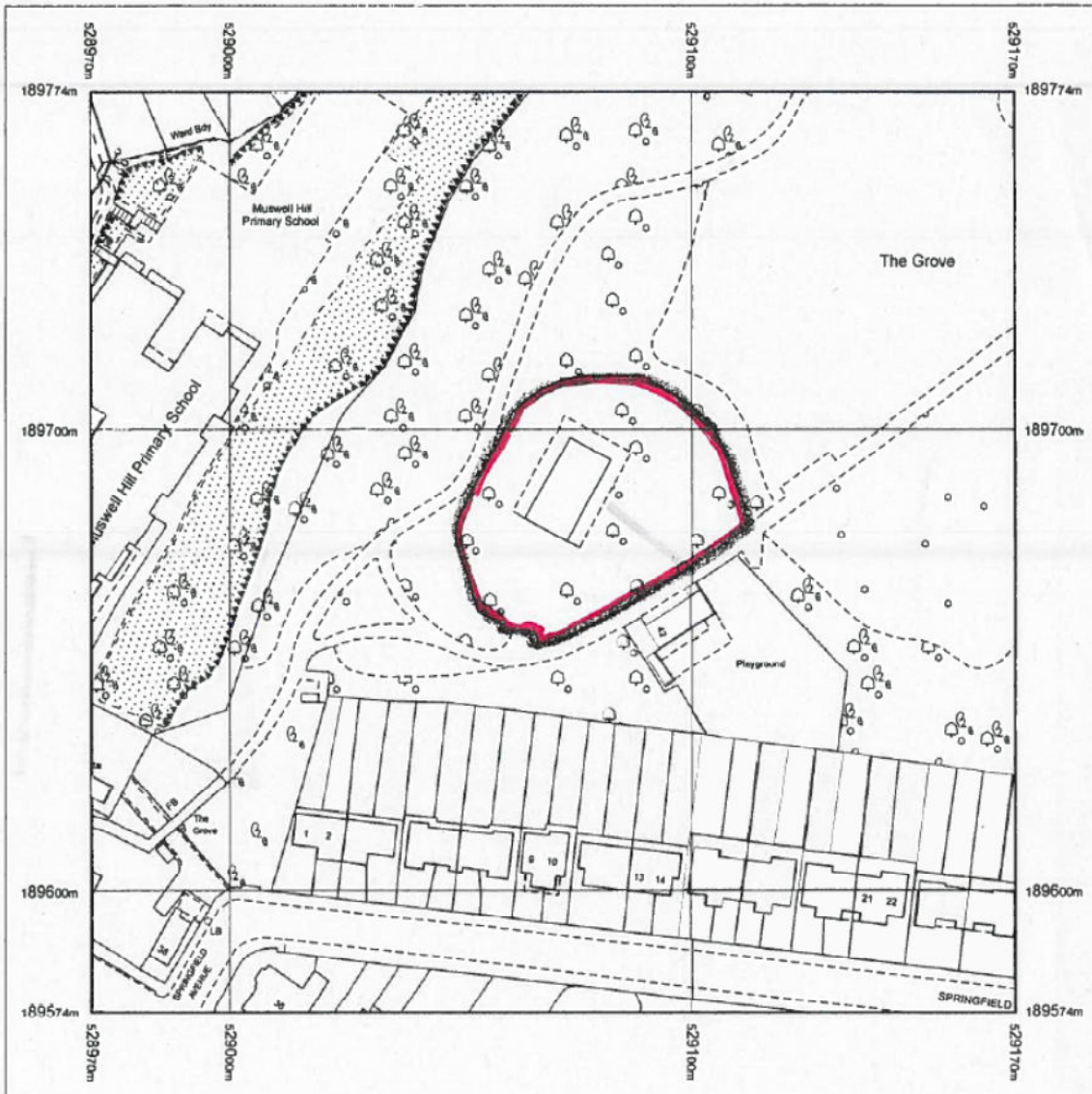


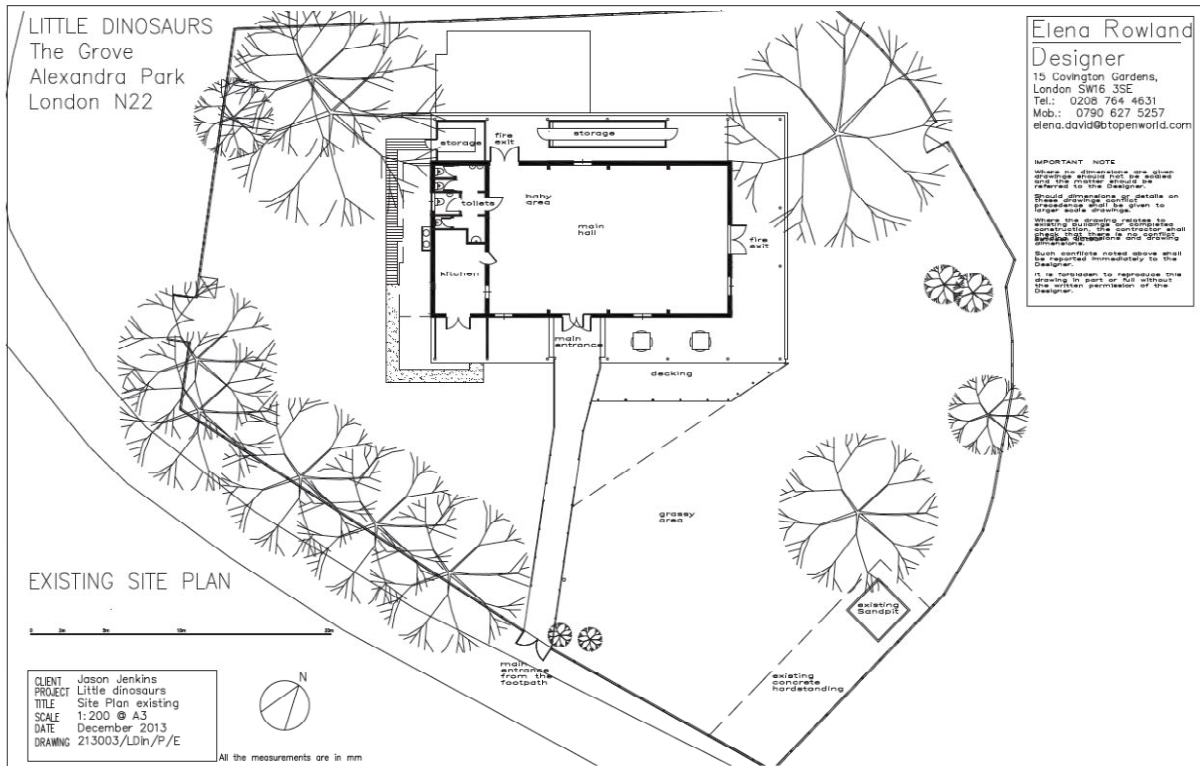
Appendix 1: Drawings and Images



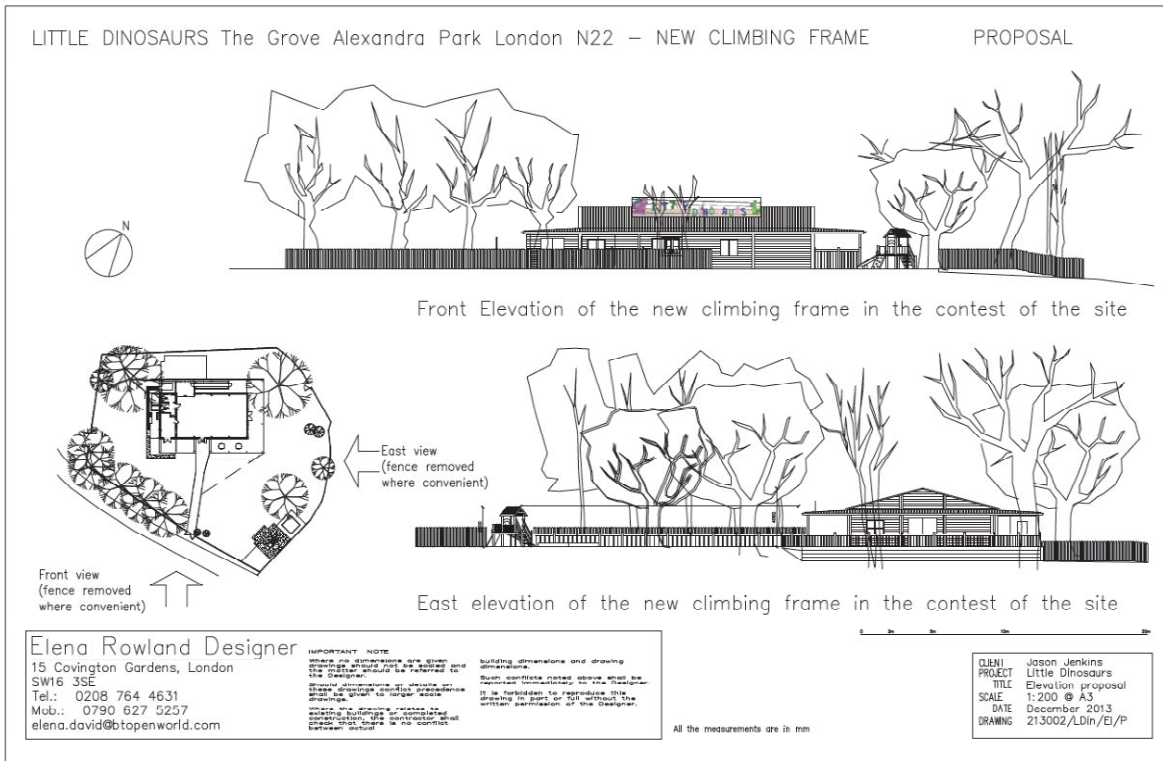
Site Location Plan



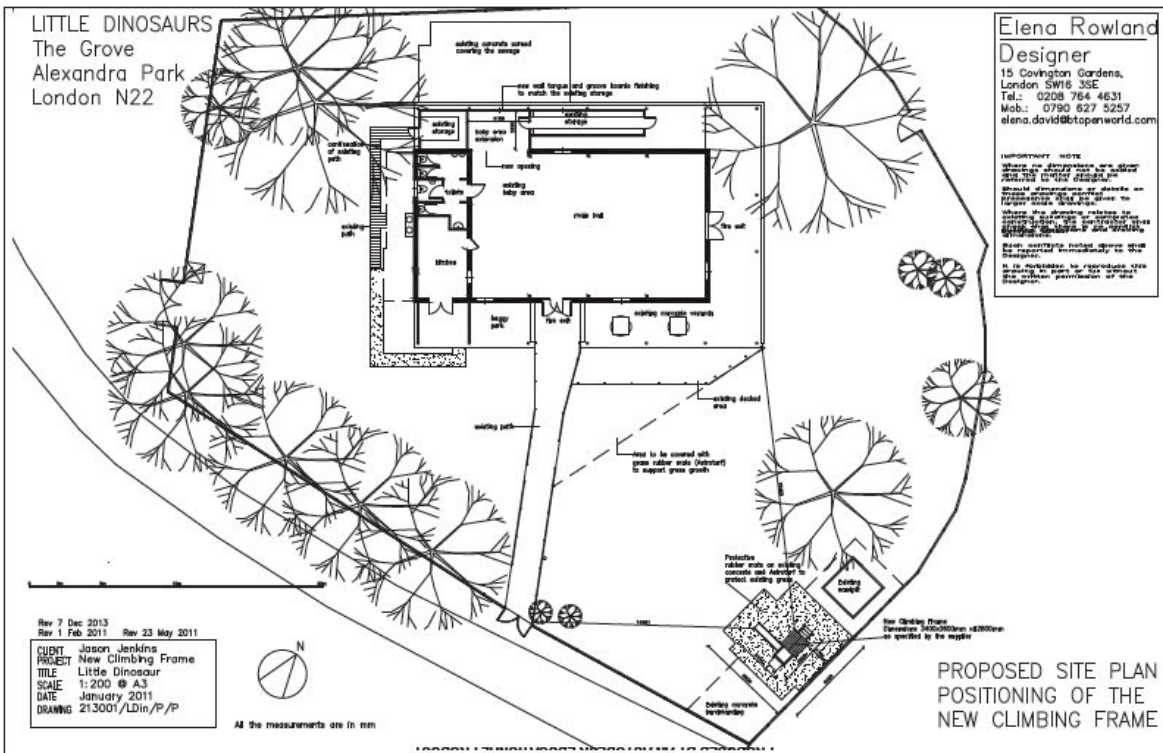
Site Location with Alexandra Palace Park



Existing Site Layout



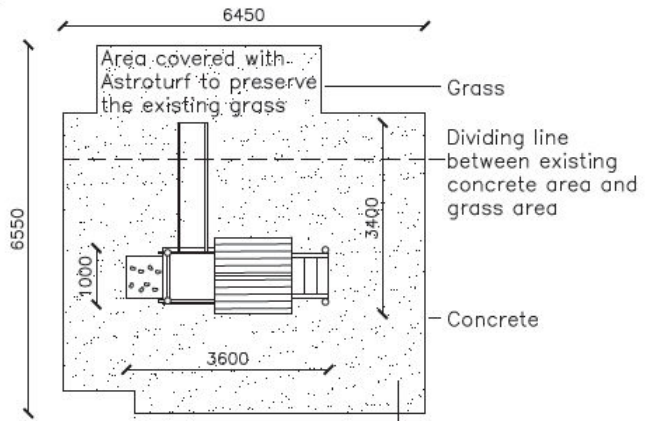
Elevations of existing building



Proposed Site Layout (Infill extension to rear, triangular area to the front of the building to be replaced with AstroTurf, climbing frame in south-east corner)



Specifications of the climbing frame from the manufacturer



Area covered with rubber mats on the existing concrete to protect from falls around the climbing frame

Plan of the climbing frame and surfacing area

Elena Rowland Designer
 15 Covington Gardens, London
 SW16 3SE
 Tel.: 0208 764 4631
 Mob.: 0790 627 5257
 elena.david@topenworld.com

IMPORTANT NOTE
 Where an agreement or consent is required for the proposed works, the Designer shall be responsible for obtaining the same. It is the responsibility of the client to ensure that all necessary permissions are obtained. The Designer shall not be responsible for any delays or costs incurred by the client in obtaining the same. The Designer shall not be responsible for any delays or costs incurred by the client in obtaining the same.

CLIENT Jason Jenkins
PROJECT Little Dinosaurs
TITLE Plan & Specs
SCALE 1:50 © A3
DATE January 2014
DRAWING 214002/LDin/CFP/P

All the measurements are in mm

Plan/ Elevations of Climbing Frame



Phota 1: View of existing hardstanding/ location of proposed climbing frame



Photo 2: View of area of to back of the building to be infilled.



Photo 3: View from outside the site/ eastern boundary.



Photo 4: View of surface area (triangular area) to the front of the building to be replaced with AstroTurf.